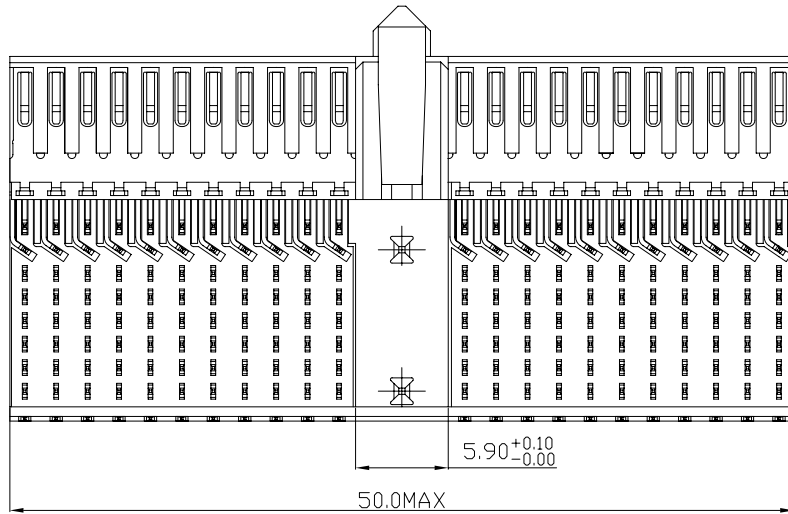
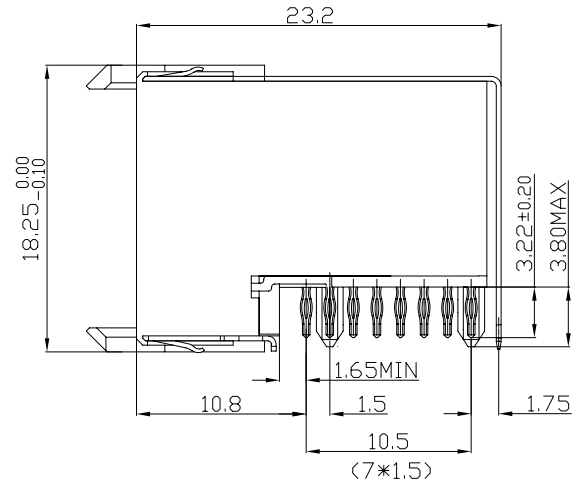
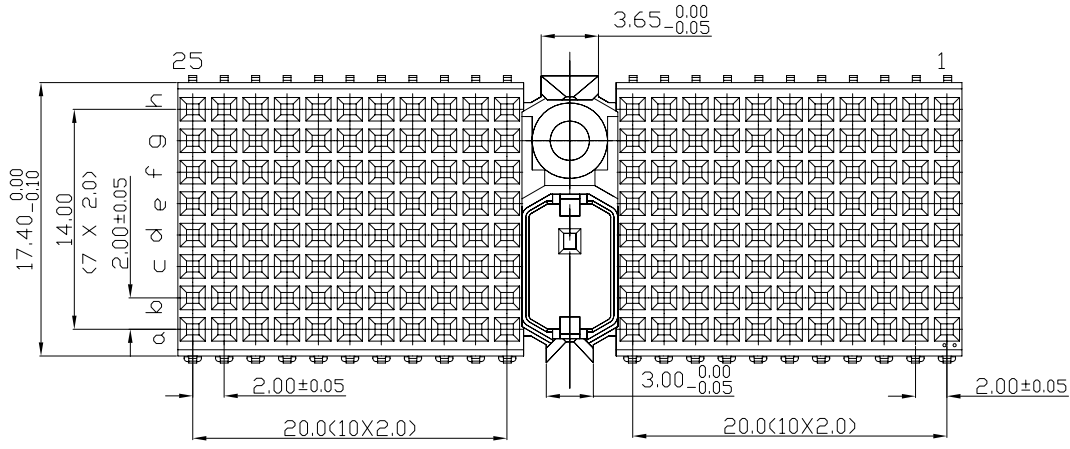


Tous droits strictement reserves. Reproduction ou communication a des tiers interdite sous quelque forme que ce soit sans autorisation ecrite du proprietaire.  
 Property of FCI. Copyright FCI.



All rights strictly reserved. Reproduction or issue to third parties in any form whatever is not permitted without written authority from the proprietor.  
 Property of FCI. Copyright FCI.

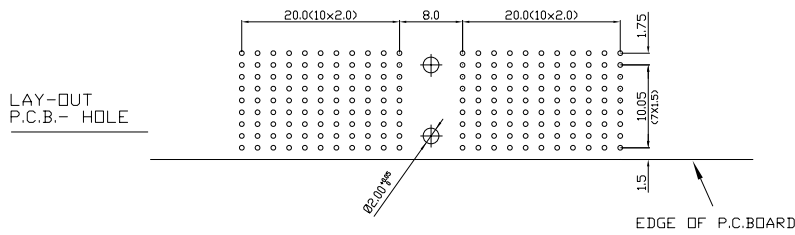


PERFORMANCE CHARACTERISTICS

- CURRENT RATING 1.5A AT 20°C (FULLY LOADED)
- CURRENT RATING 1 A AT 70°C (FULLY LOADED)
- RATED VOLTAGE : 500 V AC (CONT /CONT)
- OPERATING TEMPERATURE : -55°C TO 125°C
- CONTACT RESISTANCE 20 MΩ MAX
- INSERTION FORCE : 0.75N MAX/CONT
- EXTRACTION FORCE : 0.15N MIN/CONT
- INSULATION RESISTANCE : 10<sup>4</sup> MΩ MIN

NOTES 1\*

- LEAD FREE INDICATOR LF=LEAD FREE
- PERFORMANCE LEVEL INDICATOR (REF DWG NO.BSC 201844.003)
- 2. THIS PRODUCT IS CSA APPROVED. THIS PRODUCT IS UL RECOGNIZED.
- 3. FOR RECOMMENDED PTH DIMENSIONS REFER DRAWING : BS.A.201572.001
- 4. THIS PRODUCT (LF) MEETS EUROPEAN UNION DIRECTIVES AND OTHER COUNTRY REGULATIONS AS DESCRIBED IN GS-22-008



rev	ecn no	dr	date
A	CONVERSION REVISION 06	KN	14-09-01
B	DG05-0381	Kason	10-10-05
C	DG07-0362	Kason	05-09-07

<b>FCI</b>		www.fciconnect.com		✓	tolerance 1DEC #0.2 1DEC 2DEC #0.1 2DEC ANGLES #1° HOEKEN	projection MM	MM			
Dr	W.Panis	30-04-96	Product family	MILLIPICS	size	A4	Scale	3/1		
Eng			Spec ref							
Chr			Material		ECN					
Appr										
title					MPACS 8+2R RA RCP CONN TYPE D/ SHIELDED		dwg no	BS,C ,202260,001	Rev.	C
catalog no					HM2R87PA8101----		CUSTOMER	sheet 1 of 1		